



Pallet Stacker

L06-L16 AC

Capacity 0.6 t – 1.6 t | Series 1171

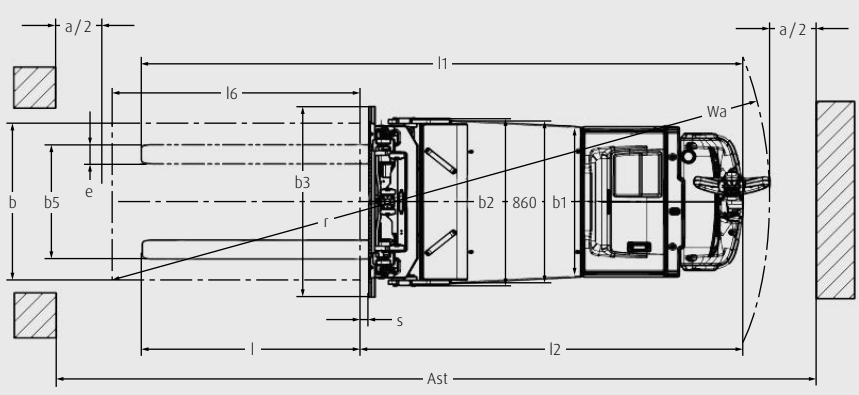
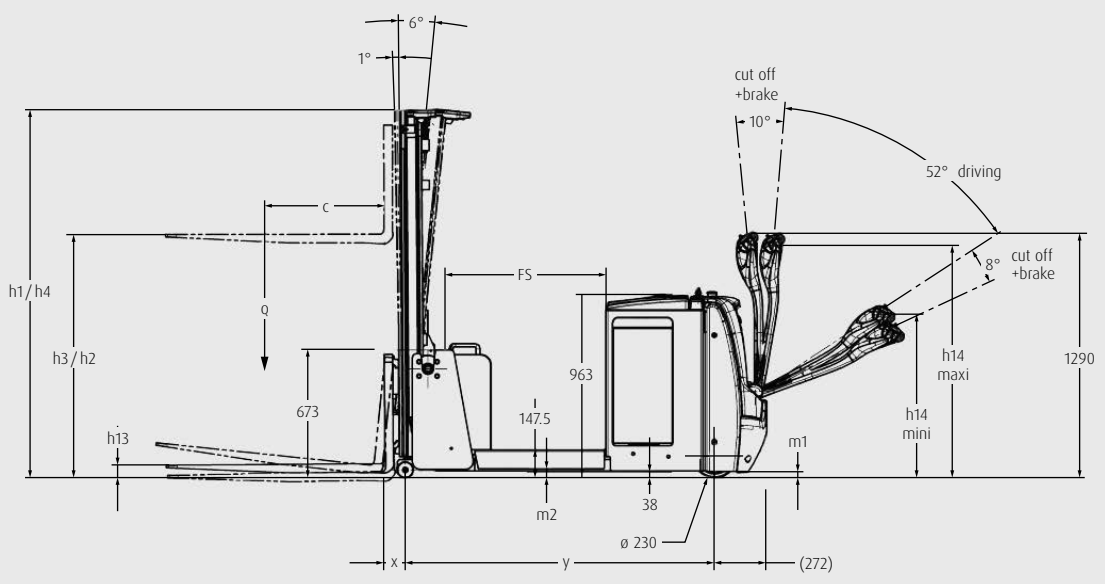
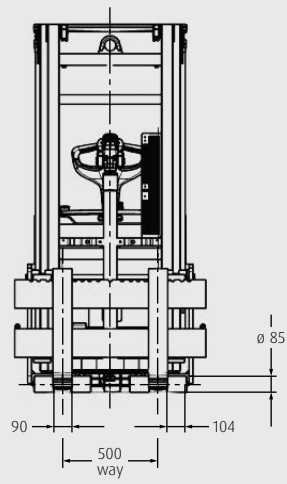
Powerful and Agile

- Long tiller and precise power steering for optimum handling and maneuverability
- ISO standard forks for handling all types of pallets
- Ergonomically shaped handle with all-round design for hand protection
- Long, low-mounted tiller for sufficient safety distance to the chassis
- Automatic speed reduction in curves for anti-tip protection and maximum driving safety

TECHNICAL DATA (According to VDI 2198)

| Characteristics | 1.1 | Manufacturer | Linde | Linde | Linde | Linde | |
|-----------------|--|---|-----------------------|-----------------------|-----------------------|-----------------------|--------------------|
| | 1.2 | Model | L06AC | L10AC | L12AC | L16AC | |
| | 1.2.a | Series | 1171-01 | 1171-01 | 1171-01 | 1171-01 | |
| | 1.3. | Power unit | Battery | Battery | Battery | Battery | |
| | 1.4 | Operation | Pedestrian | Pedestrian | Pedestrian | Pedestrian | |
| | 1.5 | Load capacity/Load | Q (t) | 0.6 | 1.0 | 1.2 | 1.6 |
| | 1.6 | Load centre distance | c (mm) | 500 | 500 | 500 | 500 |
| | 1.8 | Axle centre to fork face | x (mm) | 107 | 107 | 107 | 107 |
| | 1.9 | Wheelbase | y (mm) | 914 | 1264 | 1264 | 1626 |
| Weights | 2.1 | Service weight | (kg) | 1725 | 1861 | 1885 | 2085 |
| | 2.2 | Axle load with load, front/rear | (kg) | 552/1773 | 619/2242 | 524/2561 | 698/2987 |
| | 2.3 | Axle load without load, front/rear | (kg) | 950/775 | 1099/762 | 1100/785 | 1295/790 |
| Wheels/Tyres | 3.1 | Tyres rubber, SE, pneumatic, polyurethane | Polyurethane wet grip | Polyurethane wet grip | Polyurethane wet grip | Polyurethane wet grip | |
| | 3.2 | Tyre size, front | Ø 230 × 100 | Ø 230 × 100 | Ø 230 × 100 | Ø 230 × 100 | |
| | 3.3 | Tyre size, rear | Ø 85 × 105 | Ø 85 × 105 | Ø 85 × 105 | Ø 85 × 105 | |
| | 3.5 | Wheels, number front/rear (x = driven) | 1x/4 | 1x/4 | 1x/4 | 1x/4 | |
| | 3.6 | Track width, front | b10 (mm) | - | - | - | - |
| | 3.7 | Track width, rear | b11 (mm) | 500 | 500 | 500 | 500 |
| Dimensions | 4.1 | Mast/fork carriage tilt, forward/backward | a/b (°) | 1.0/6.0 | 1.0/6.0 | 1.0/6.0 | 1.0/6.0 |
| | 4.2 | Height of mast, lowered | h1 (mm) | 1515 | 1515 | 1515 | 1515 |
| | 4.3 | Free lift | h2 (mm) | 150 | 150 | 150 | 150 |
| | 4.4 | Lift | h3 (mm) | 1924 | 1924 | 1924 | 1844 |
| | 4.5 | Height of mast, extended | h4 (mm) | 2485 | 2485 | 2485 | 2405 |
| | 4.9 | Height of tiller arm in operating position, min/max | h14 (mm) | 857/1222 | 857/1222 | 857/1222 | 857/1222 |
| | 4.15 | Height, lowered | h13 (mm) | 67 | 67 | 67 | 67 |
| | 4.19 | Overall length | l1 (mm) | 2461 | 2808 | 2808 | 3172 |
| | 4.20 | Length to fork face | l2 (mm) | 1311 | 1658 | 1658 | 2022 |
| | 4.21 | Overall width | b1/b2 (mm) | 790/890 | 790/890 | 790/890 | 790/890 |
| | 4.22 | Fork dimensions DIN ISO 2331 | s/e/l (mm) | 43 × 100 × 1150 | 43 × 100 × 1150 | 43 × 100 × 1150 | 43 × 100 × 1150 |
| | 4.23 | Fork carriage to ISO 2328, class/type A, B | | 2B | 2B | 2B | 2B |
| | 4.24 | Width of fork carriage | b3 (mm) | 1000 | 1000 | 1000 | 1000 |
| | 4.25 | Fork spread | b5 (mm) | 225/926 | 225/926 | 225/926 | 225/926 |
| | 4.31 | Ground clearance, below mast | m1 (mm) | 30 | 30 | 30 | 30 |
| | 4.32 | Ground clearance, centre of wheelbase | m2 (mm) | 2783 ¹⁾ | 3133 ¹⁾ | 3133 ¹⁾ | 3495 ¹⁾ |
| 4.34.1 | Aisle width for pallets 1000 × 1200 crossways | Ast (mm) | 2891 ¹⁾ | 3241 ¹⁾ | 3241 ¹⁾ | 3603 ¹⁾ | |
| 4.34.2 | Aisle width with pallet 800 × 1200 along forks | Ast (mm) | 2891 | 3241 | 3241 | 3603 | |
| 4.35 | Turning radius | Wa (mm) | 1324 | 1674 | 1674 | 2036 | |
| Performance | 5.1 | Travel speed, with/without load | (km/h) | 5/6 | 5/6 | 5/6 | 5/6 |
| | 5.2 | Lifting speed, with/without load | (m/s) | - | 0.15/0.3 | 0.15/0.3 | 0.15/0.3 |
| | 5.3 | Lowering speed, with/without load | (m/s) | - | 0.45/0.35 | 0.45/0.35 | 0.45/0.35 |
| | 5.10 | Service brake | | Electro-magnetic | Electro-magnetic | Electro-magnetic | Electro-magnetic |
| Drive | 6.1 | Drive motor rating S2 60 min | (kW) | 2.3 | 2.3 | 2.3 | 2.3 |
| | 6.2 | Lift motor rating at S3 15 % | (kW) | 2.2 | 3.2 | 3.2 | 3.2 |
| | 6.3 | Battery according to DIN 43531/35/36 A, B, C, no | | 43 535 B/3 PzS | 43 535 B/3 PzS | 43 535 B/3 PzS | 43 535 B/4 PzS |
| | 6.4 | Battery voltage/rated capacity (5 h) | (V/Ah) | 24/345/375 | 24/345/375 | 24/345/375 | 24/460/500 |
| | 6.5 | Battery weight (± 5 %) | (kg) | 287 | 287 | 287 | 365 |
| | 6.6 | Power consumption according to VDI cycle | (kWh/h) | 0.72 | 1.19 | 1.19 | 1.45 |
| | 6.7 | Turnover output | (t/h) | 26.4 | 50.4 | 50.4 | 67.0 |
| | 6.8 | Energy consumption at turnover output | (kWh/h) | 1.27 | 1.66 | 1.66 | 1.89 |
| Others | 8.1 | Type of drive unit | | LAC | LAC | LAC | LAC |
| | 10.7 | Sound pressure level LpAZ (at the driver's seat) | (dB(A)) | 63 | 61 | 61 | 61 |

1) Including a 200 mm (min.) operating aisle clearance.



MAST TABLES

STANDARD MAST (in mm)

| Lift | h3: 1924 | h3: 2424 | h3: 2924 | h3: 3324 | h3: 3824 |
|---------------------|---------------------------------------|--|--|--|--|
| Height measurements | h1: 1440 h2: 879 h3: 1924 h4: 2485 | h1: 1690 h2: 1129 h3: 2424 h4: 2985 | h1: 1940 h2: 1379 h3: 2924 h4: 3485 | h1: 2140 h2: 1579 h3: 3324 h4: 3885 | h1: 2390 h2: 1829 h3: 3824 h4: 4385 |
| Model | | | | | |
| L06AC | ○ | ○ | ○ | ○ | — |
| L10AC | ○ | ○ | ○ | ○ | ○ |
| L12AC | ○ | ○ | ○ | ○ | ○ |
| L16AC | — | — | — | — | — |

| Lift | h3: 4224 | h3: 1844 | h3: 2344 | h3: 2844 |
|---------------------|--|---------------------------------------|--|--|
| Height measurements | h1: 2590 h2: 2029 h3: 4224 h4: 4785 | h1: 1440 h2: 879 h3: 1844 h4: 2405 | h1: 1690 h2: 1129 h3: 2344 h4: 2905 | h1: 1940 h2: 1379 h3: 2844 h4: 3405 |
| Model | | | | |
| L06AC | — | — | — | — |
| L10AC | — | — | — | — |
| L12AC | ○ | — | — | — |
| L16AC | — | ○ | ○ | ○ |

DUPLEX MAST (in mm)

| Lift | h3: 3244 | h3: 3744 | h3: 4144 |
|---------------------|--|--|--|
| Height measurements | h1: 2140 h2: 1579 h3: 3244 h4: 3805 | h1: 2390 h2: 1829 h3: 3744 h4: 4305 | h1: 2590 h2: 2029 h3: 4144 h4: 4705 |
| Model | | | |
| L06AC | — | — | — |
| L10AC | — | — | — |
| L12AC | — | — | — |
| L16AC | ○ | ○ | ○ |

TRIPLEX MAST (in mm)

| Lift | h3: 3516 | h3: 4266 |
|---------------------|--|--|
| Height measurements | h1: 1690 h2: 1129 h3: 3516 h4: 4077 | h1: 1940 h2: 1379 h3: 4266 h4: 4827 |
| Model | | |
| L06AC | ○ | — |
| L10AC | ○ | — |
| L12AC | ○ | ○ |
| L16AC | ○ | ○ |

○ Optional equipment – Not available

h1: Height of mast, lowered

h2: Free lift

h3: Lift

h4: Height of mast, extended

STANDARD AND OPTIONAL EQUIPMENT

| Model/Equipment | | L06 AC | L10 AC | L12 AC | L16 AC |
|---------------------------|---|--------|--------|--------|--------|
| Safety | Automatic speed reduction when cornering | ● | ● | ● | ● |
| | Low mounted tiller | ● | ● | ● | ● |
| | Key switch or Log in PIN code | ● | ● | ● | ● |
| Service | CAN bus technology | ● | ● | ● | ● |
| Digitalisation | Linde Connected Solutions: | ○ | ○ | ○ | ○ |
| | ac: access control (PIN or RFID Dual), | ○ | ○ | ○ | ○ |
| | an: usage analysis and dt: crash detection | ○ | ○ | ○ | ○ |
| | Data transfer online | ○ | ○ | ○ | ○ |
| | Data transfer WIFI | ○ | ○ | ○ | ○ |
| | Bluetooth USB Stick | ○ | ○ | ○ | ○ |
| Operation / Load Handling | Soft landing on forks | ○ | ○ | ○ | ○ |
| | Ultra Fast Lifting | ○ | ○ | ○ | ○ |
| | Load backrest 1000 mm | ○ | ○ | ○ | ○ |
| Environment | Cold store protection to -35°C | ○ | ○ | ○ | ○ |
| Workplace | Multifunction coloured display hour meter, maintenance indication, battery discharge indicator and internal fault code indication | ● | ● | ● | ● |
| | Spacious storage compartments | ● | ● | ● | ● |
| | Accessory support | ○ | ○ | ○ | ○ |
| | Support data terminal incl. power supply cable 24 V | ○ | ○ | ○ | ○ |
| | Support clipboard DIN A4 | ○ | ○ | ○ | ○ |
| | Support for scanner | ○ | ○ | ○ | ○ |
| Mast | Standard mast | ○ | ○ | ○ | ○ |
| | Duplex mast | ○ | ○ | ○ | ○ |
| | Triplex mast | ○ | ○ | ○ | ○ |
| | Tilting mast (+1°/-6°) (on the L10/12/16 AC) | – | ○ | ○ | ○ |
| | Mast protection: polycarbonate | ● | ● | ● | ● |
| | Mast protection: mesh | ○ | ○ | ○ | ○ |
| Attachement / Forks | Fork carriage: 800 mm ISO2B | ● | ● | ● | ● |
| | Fork carriage: 900 mm ISO2B | – | ○ | ○ | ○ |
| | Fork carriage: 1000 mm ISO2B | – | ○ | ○ | ○ |
| | Forks 1000/80 x 40 mm | ● | ● | ● | – |
| | Forks 1100/80 x 40 mm | ○ | ○ | ○ | – |
| | Forks 1200/80 x 40 mm | ○ | ○ | ○ | – |
| | Forks 1000/100 x 45 mm | – | – | – | ● |
| | Forks 1100/100 x 45 mm | – | – | – | ○ |
| | Forks 1200/100 x 45 mm | – | – | – | ○ |
| Axles and Tyres | Polyurethane wet grip drive wheel | ● | ● | ● | ● |
| | Polyurethane load wheels | ● | ● | ● | ● |
| Drive and Brake-System | Power assisted steering | ● | ● | ● | ● |
| | 2.3 kW AC motor (maintenance free) | ● | ● | ● | ● |
| | Electromagnetic Braking systems | ● | ● | ● | ● |
| | Battery compartment, vertical change 3 PzS (345 Ah/375 Ah) | – | ● | ● | ● |
| | Battery compartment, vertical change 4 PzS (460 Ah/500 Ah) | – | ○ | ○ | ○ |
| | Battery compartment, side change 3 PzS (345 Ah/375 Ah), incl. ergonomic lever and metal rollers | ● | ○ | ○ | ○ |
| | Battery compartment, side change 4 PzS (460 Ah/500 Ah), incl. ergonomic lever and metal rollers | – | ○ | ○ | ○ |

● Standard equipment ○ Optional equipment – Not available

CHARACTERISTICS



Low mounted tiller ensures large safety clearance between operator and chassis

Safety

- Long, low-mounted tiller ensures sufficient safety clearance between driver and chassis
- All-round design of ergonomic handles protects the operator's hands
- Automatic speed adjustment in curves reduces the risk of overturning
- Automatic braking stops the truck as soon as the operator releases the controls



All controls on ergonomic tiller can be easily operated by either hand

Ergonomics

- Operating controls on the console of the tiller head simplify handling
- Spacious storage compartment enables the storage of important work equipment
- Long tiller makes maneuvering easier, even in confined spaces
- Lift mast control via handle ensures effortless load handling



Fitted with ISO standard forks, the trucks can handle all types of pallets

Handling

- ISO standard forks accommodate all types of pallets
- High maneuverability simplifies working in confined spaces
- Compact, maintenance-free 2.3 kW AC drive ensures optimum performance
- High residual load capacity enables sovereign material handling



All truck components are easily and freely accessible

Service

- Digital multifunctional display shows all important truck parameters
- CAN bus connection enables the service technician to read out and analyze truck data with a laptop
- Free access to relevant truck components aids maintenance
- Maintenance-free AC drive ensures short downtimes

Subject to modification in the interest of progress. Illustrations and technical details could include options and not binding for actual constructions. All dimensions subject to usual tolerances.

Linde Material Handling

Linde

Linde Material Handling | 5 Distillers Place | Huntingwood NSW 2148
Phone 1300 135 463 | www.lindemh.com.au